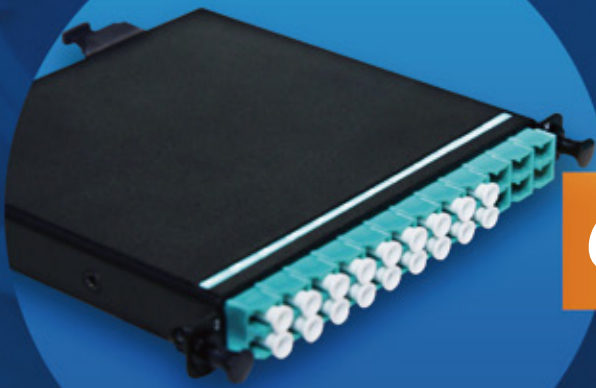


**PATCH PANEL**

**MPO/MTP SERIES**



**CASSETTE MODULE**

**MPO/MTP SERIES**

**MPO/MTP**  
**SERIES**

# MPO/MTP series

## ■ Applications

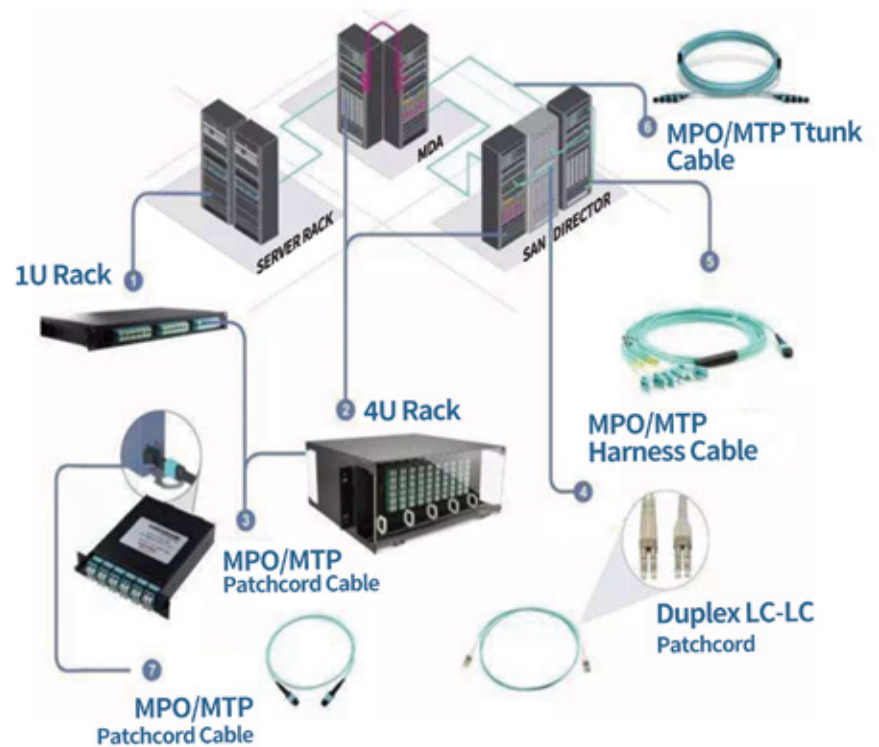
- Data center
- Telecommunication
- CATV
- LAN & WAN
- Network

## ■ Regulatory and compliance standards

- 1.Conforms to IEC 61754-7
- 2.Conforms to TIA-568-C
- 3.Meets and exceeds Telcordia GR-1435
- 4.All parts comply w/ RoHS 2.0 / REACH



**MTP-LC  
PATCHCORD**



# MPO/MTP SERIES

## MPO/MTP series

- Applications ..... 2
- Regulatory and compliance standards ..... 2
- Overview ..... 4
- Features ..... 4
- Patch panel ..... 5
- MPO/MTP Cassette Module ..... 5
- MPO/MTP Patch cord ..... 5
- Cable Type ..... 6
- TIA-568-C Connectivity Method ..... 6-7

**MTP-MTP  
PATCHCORD**



**MT-FA 8F**



**2XMT-FA 16F**



**MT-FA 32F**



**MPO-LC 12F**



**MPO-LC 24F**



**MPO/24F -  
MPO/3X8F**



**MPO/2X24F -  
MPO/6X8F**



## Overview

WCFO's MPO/MTP connectors utilize precision molded MT ferrules with metal guide pins and precise housing dimensions to ensure fiber alignment when mating. The MPO/MTP can be mass terminated in combinations of 4-72 fiber cables. Our MPO/MTP series of trunk cable solutions provide an efficient way to install fiber networks quickly while maintaining high flexibility for network management. It is especially advantageous for the areas that require high density, rapid deployment, and high performance.

## Features

- Ideal for high density datacenter application
- Precision molded MT ferrule
- High precision guide pins for exact alignment
- Designed for low loss and standard loss SM and MM applications
- Terminates ribbon fiber of loose individual fibers

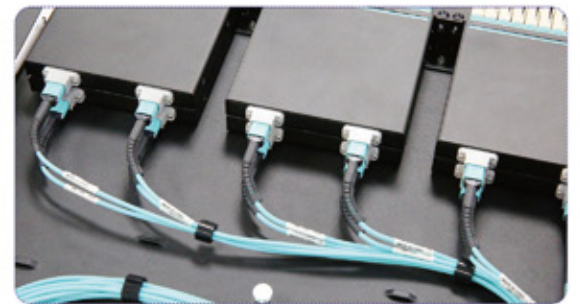
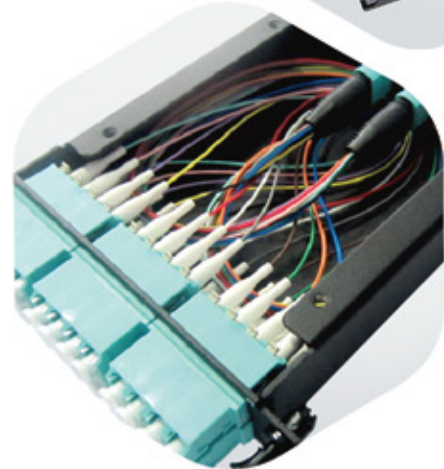
## Patch panel

It can be mounted on the 19” standard Optical Distribution Frame, Front and rear lids provide easy access to adapters and pigtails. The plate can be customized for FC, SC, ST, LC, and MPO/MTP adapters. The solution can be loaded with plug and play plates and modules. Optimized functions for fiber storage, fiber splicing, fiber distribution and fiber access.



## MPO/MTP Cassette Module

The MPO/MTP cassette module can provide a flexible and convenient solution for installation and network flexibility. Using the MPO/MTP cassette system, network installation is “plug and play” with no terminations or splicing required on site. The cassette is ideal to transition from multi fiber connectors to simplex and duplex connectors. The front of the module is comprised of 6, 8, 12, or 24 fiber adaptors for single mode or multimode industry standard connectors (FC, SC, ST, LC) while the back of the module has the MPO/MTP adapter mounted.



## MPO/MTP Patch cord

MPO/MTP patch cords are available in 8, 12, and 24 Fiber MPO/MTP Connectors. The length can be customized. Polarity method complies with TIA-568-c requirement.

Item	Parameter							
	FC/SC/ST/LC				MPO/MTP			
Fiber Type	SM		MM		SM		MM	
Insertion Loss (dB)	SDT	LOWLOSS	STD	LOWLOSS	STD	LOWLOSS	STD	LOWLOSS
	≤ 0.3	≤ 0.15	≤ 0.3	≤ 0.15	≤ 0.75	≤ 0.35	≤ 0.5	≤ 0.35
Return Loss (dB)	UPC	APC	/		APC		PC	
	≤ -50	≤ -60	/		≤ -50		≤ -20	

### MT-MT/FA high precision patch cord

WCFO's MT-FA high precision patch cord is widely used in precision optical lasers, and optical modules for 40G, 100G QSFP, CXP, and PSM4. The patch cord is manufactured using 250um bare ribbon fiber and low loss MT ferrules and precision fiber arrays.

**MT-FA 8F**



**2XMT-FA 16F**

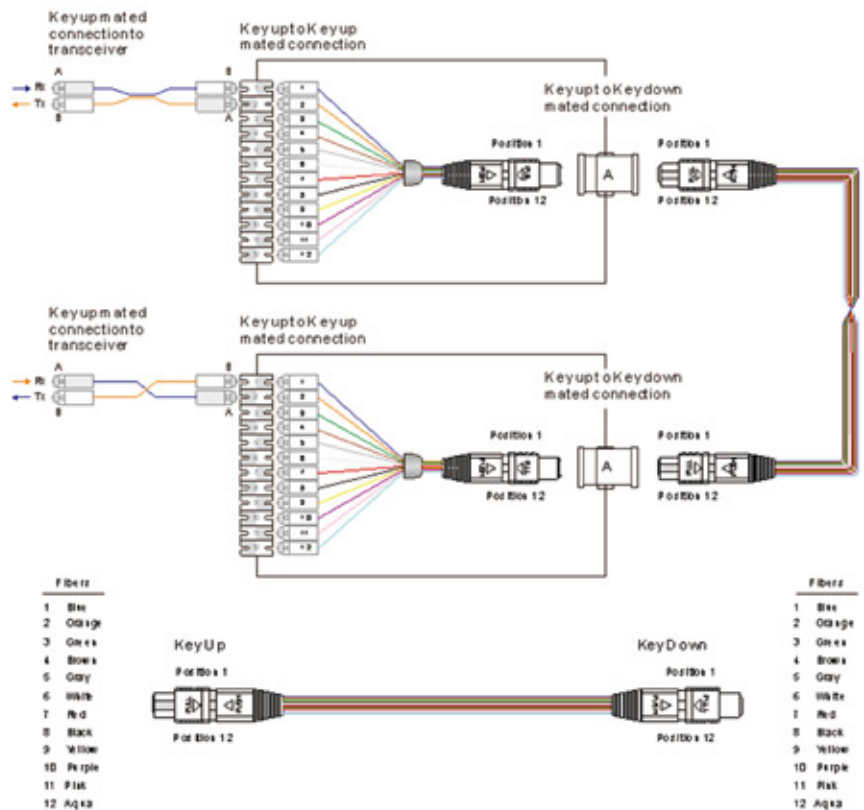


**MT-FA 32F**

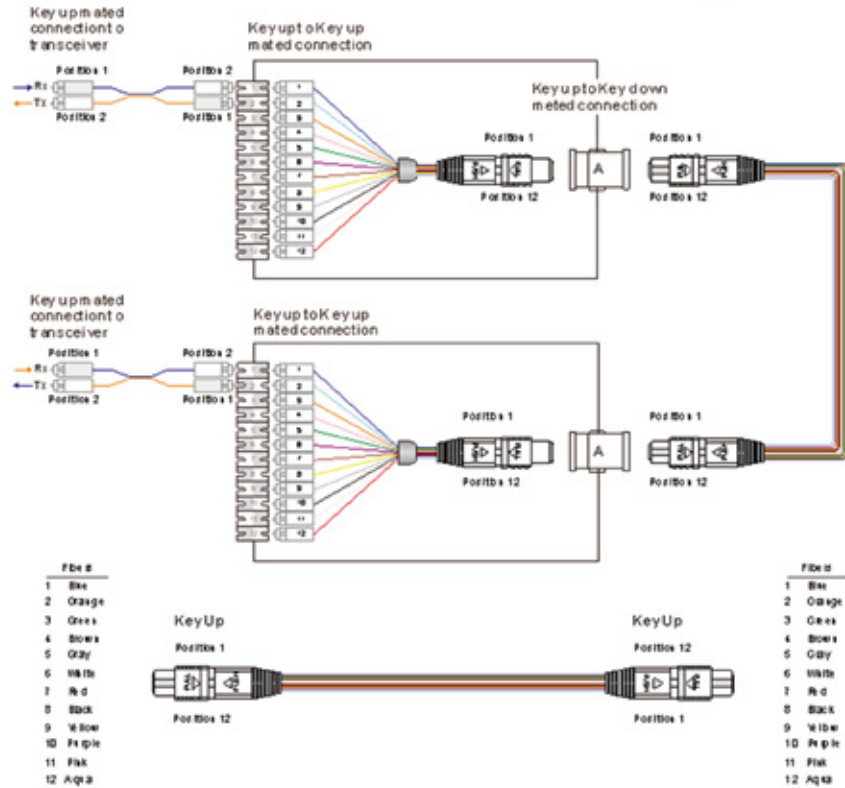


### TIA-568-C Connectivity Method

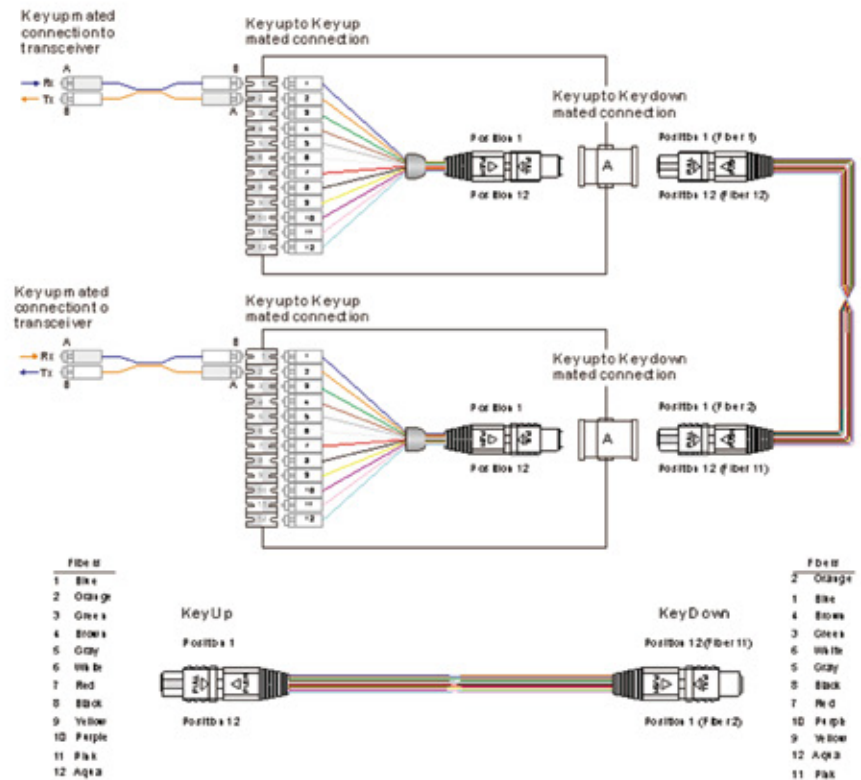
### METHODA



# METHOD B



# METHOD C





## ■ ABOUT US

WCFO is an industrial provider for optical fiber products and solutions of Telecom/Datacom. We provide the worldwide market with Easy/Green access optical fiber solutions, products and services.

## ■ CONTACT

- Tel:+852 3460 4735
- Fax:+852 3460 4736
- Email:sales@wcfo.com
- Address:Flat 11&12A,9/F Shatin Galleria No. 18-24  
ShanMei Street, Fotan, NT,Hong Kong
- <http://www.wcfo.com>