

WATERPROOF CABLES-FTTA SOLUTIONS

**HARTING LC/DX
PATCHCORD -**
Metalhousing



**HARTING LC/DX
PATCHCORD-**
Security Lock



**HARTING LC/DX
ADAPTER-**
Plastic



**HARTING LC/DX
ADAPTER-**
Metal



TE FULLAXS



**SENKO IP-
FTTA LC/DX
Patchcord**



**SENKO LC/DX
ADAPTER-
BULKHEAD**



**SENKO LC/DX
ADAPTER-
IN-LINE**



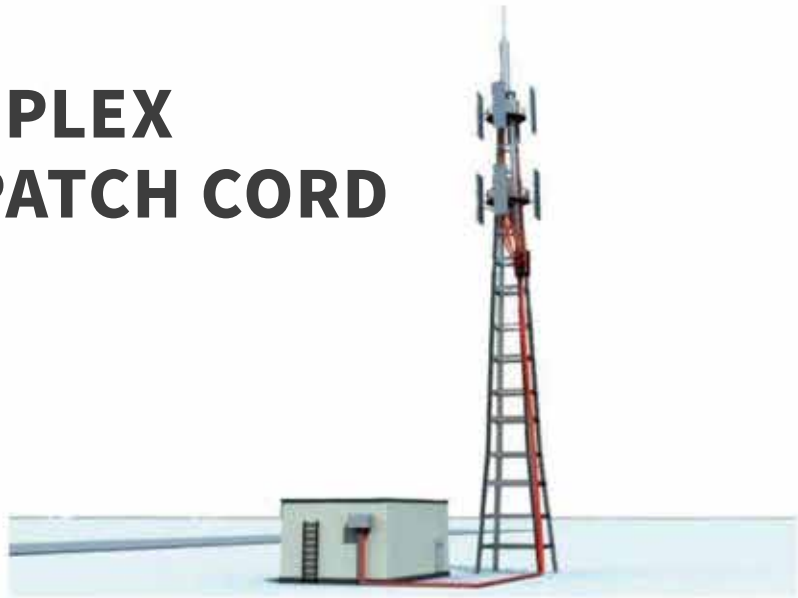
PUSHPULL LC DUPLEX WATERPROOF PATCH CORD

Applications

- Telecommunication
- FTTA
- Network
- Broadband

Regulatory and compliance standards

- Waterproof connector according to
- IEC 61076-3-106 variant 4
- LC according to IEC 61754-20
- A & B parts identification for Duplex according to TIA 568 standard
- All parts comply w/ RoHS 2.0 / REACH



IP PLUS WATERPROOF PATCH CORD

Applications

- Telecommunication
- FTTA
- Network
- Broadband

Regulatory and compliance standards

- Intermateable to other Industrial LC adaptor per IEC 60603-7
- All parts comply w/ RoHS 2.0 / REACH





**HARTING LC/DX
PATCHCORD -
METALHOUSING**



**HARTING LC/DX
PATCHCORD -
SECURITY LOCK**

Overview

Push Pull LC Duplex Waterproof Patch cord employs a ruggedized cable and connector system for harsh environmental applications. The protection rating of the waterproof connector is IP65/IP67. The ruggedized conector system prevents the ingress of dust completely and can withstand up to 1 meter of water pressure without water ingress. Cable assemblies can be ordered to specific lengths according to customer' s requirements.

Features

- Easy push-pull installation
- The waterproof connector is available in metal and plastic versions
- Compact, space-saving design includes device integration

**HARTING LC/DX
PATCHCORD -
METALHOUSING**

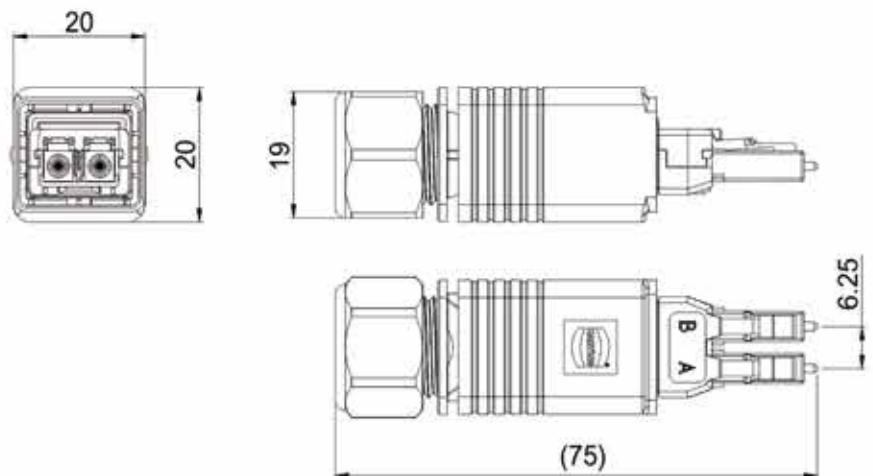


Specifications

Item	SM			MM
	PC	UPC	APC	PC
Polishing Type	PC	UPC	APC	PC
Insertion Loss	$\leq 0.3\text{dB}$			$\leq 0.3\text{dB}$
	Customize			
Return Loss	$\leq -45\text{dB}$	$\leq -50\text{dB}$	$\leq -60\text{dB}$	/
	Customize			
Mating cycles	≥ 200			
Protection rating	IP65 / IP67			
Cable diameter	4.9~8.6mm			
Operating Temperature	$-40^{\circ}\text{C} \sim +75^{\circ}\text{C}$			
Storage Temperature	$-40^{\circ}\text{C} \sim +75^{\circ}\text{C}$			

■ PushPull LC Duplex Connector (Plastic housing)

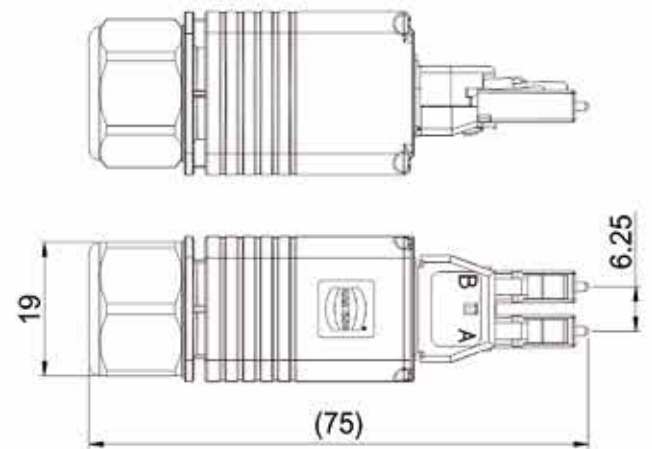
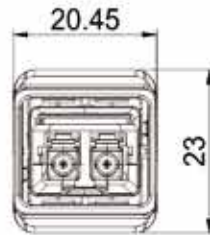
PLASTIC HOUSING



METAL HOUSING



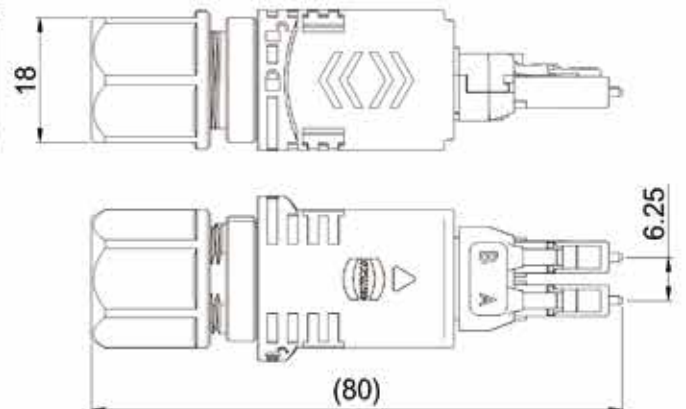
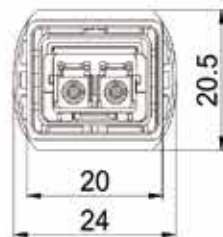
■ PushPull LC Duplex Connector (Metal housing)



SECURITY LOCK



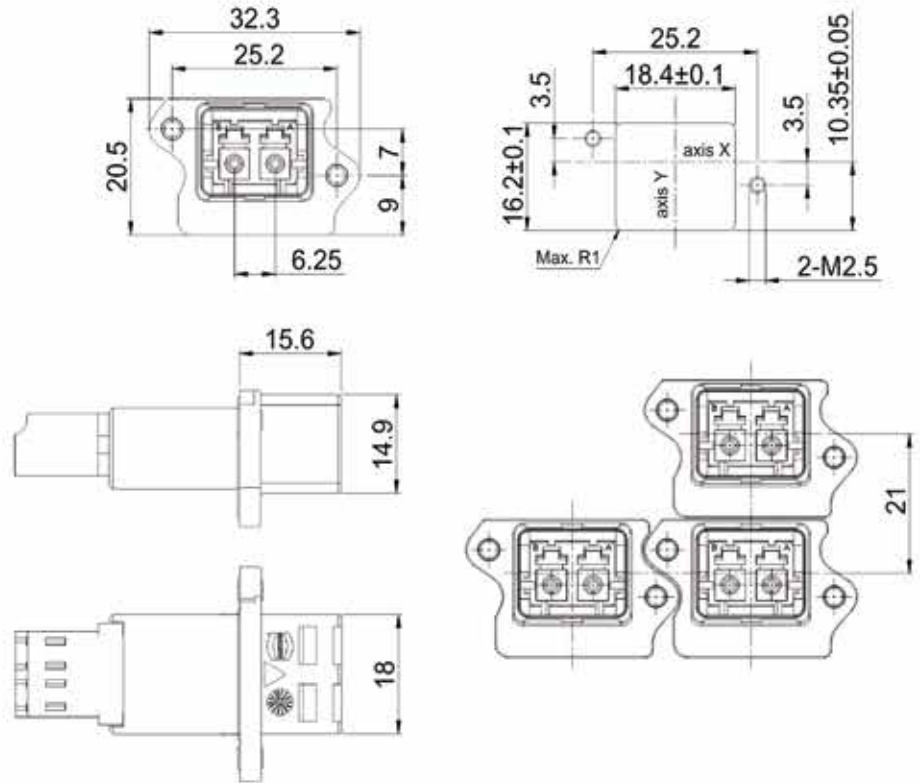
■ PushPull LC Duplex Connector (Security Lock)



HIGH DENSITY



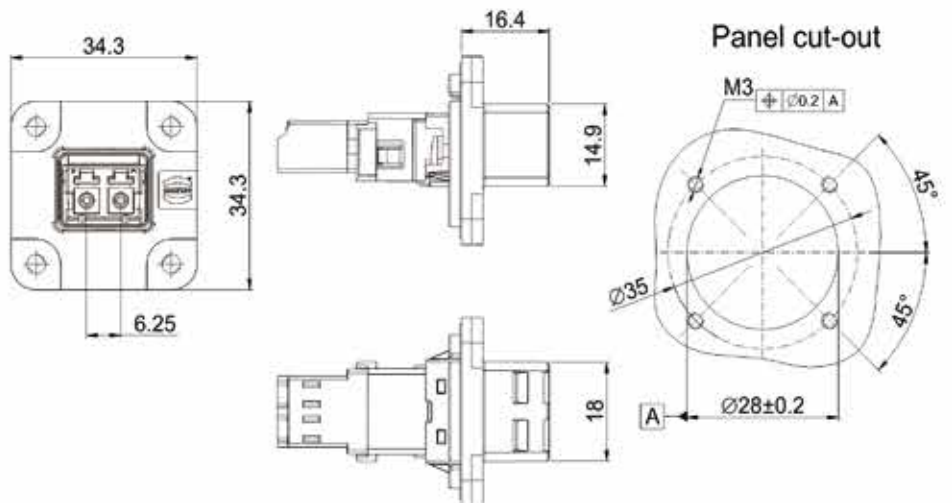
PushPull LC Duplex Adapter (High density)



PLASTIC HOUSING

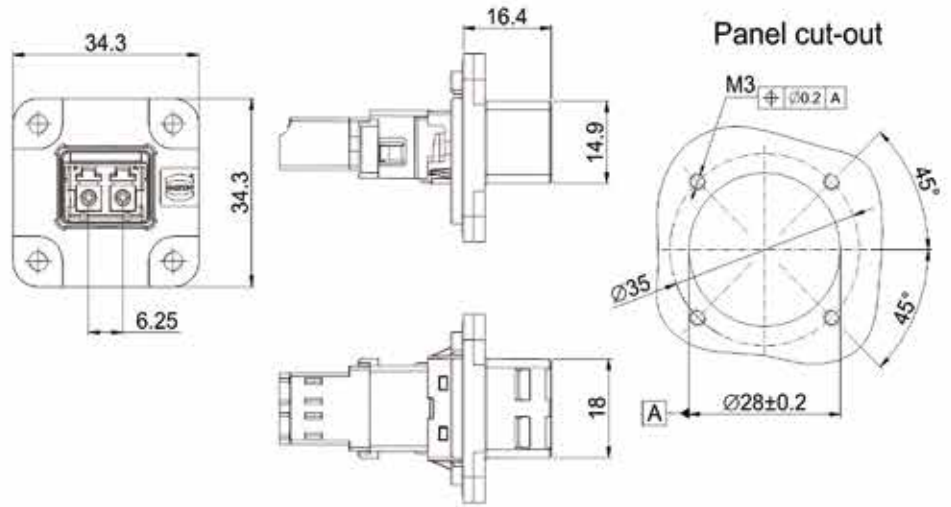


PushPull LC Duplex Connector (Plastic Housing)



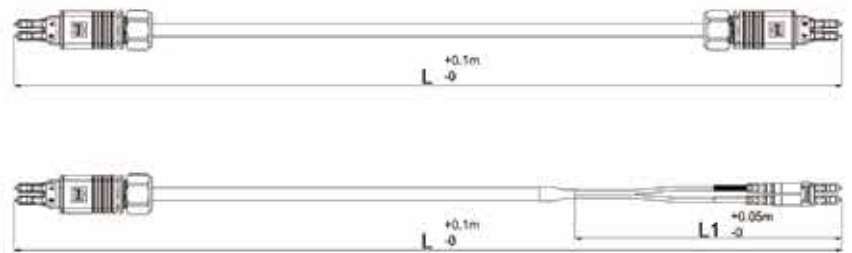
METAL HOUSING

PushPull LC Duplex Adapter (Metal housing)



HARTING LC/DX PATCHCORD- SECURITY LOCK

PushPull LC Duplex Waterproof Patch cord





**SENKO IP LC/DX
PATCHCORD**



TE FULLAXS



**SENKO LC/DX
ADAPTER -
BULKHEAD**



**SENKO LC/DX
ADAPTER -
IN-LINE**

Overview

WCFO's IP Plus Waterproof Patch cords are designed to be used in the outdoor environment and provide many years of reliable service. The connector incorporates a bayonet system which enables quick and reliable installation even when engineers are wearing gloves. The IP Plus with its secondary lockable ring provides extra security and reduces the opportunity for tampering. The connector type can be LC, SC, or MPO, and the length of cable can be specified.

Features

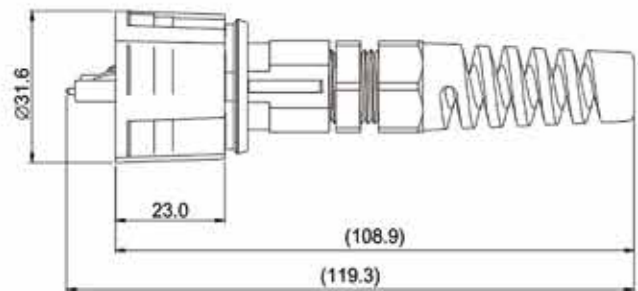
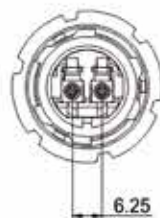
- IP Plus connectors exceed ODVA requirements
- The connectors meet IP67 environmental sealing ratings
- Simple bayonet locking system
- Simple assembly requiring no special tools
- 100LBS Superior pull force

Specifications

CHARACTERISTICS	IP-LC		IP-SC		IP-MPO Low Loss		IP-MPO	
	SM	MM	SM	MM	SM (Low Loss)	MM (Low Loss)	SM	MM
Max. Insertion Loss (MAX)	0.3 dB	0.3 dB	0.3 dB	0.3 dB	0.35 dB	0.3 dB	0.7 dB	0.5 dB
Return Loss	55 dB	NA	55 dB	NA	60 dB	25 dB	60 dB	25 dB
Durability	50 Matings							
Operating Temperatures	- 40° ~+75°							
IP Ratings	IP-68							
Pull Force	100 lbs							
Material	UV Resistant							

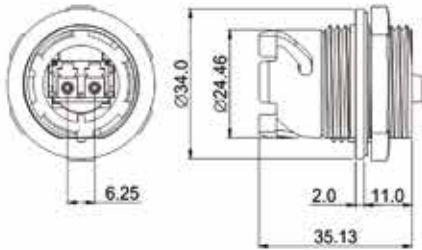
Dimensions

■ IP-LC Connector

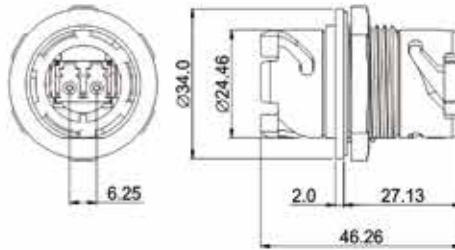


Dimensions

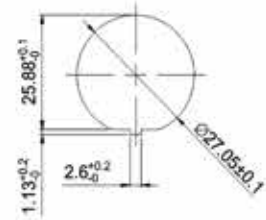
■ IP-LC Bulkhead Adapter



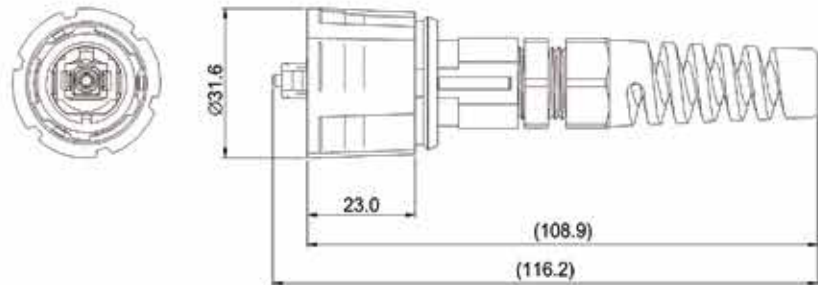
■ IP-LC In Line Adapter



■ Panel cut-out

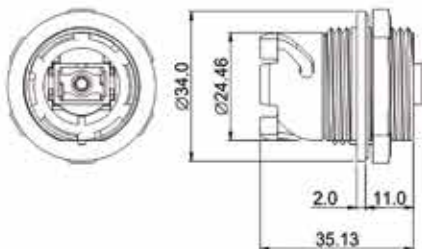


■ IP-SC Connector

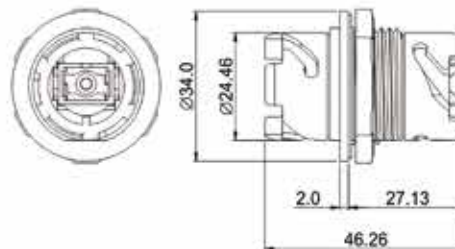


Dimensions

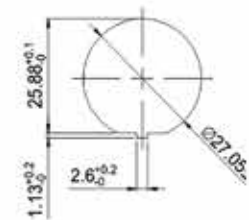
■ IP-MPO Bulkhead Adapter



■ IP-MPO In Line Adapter

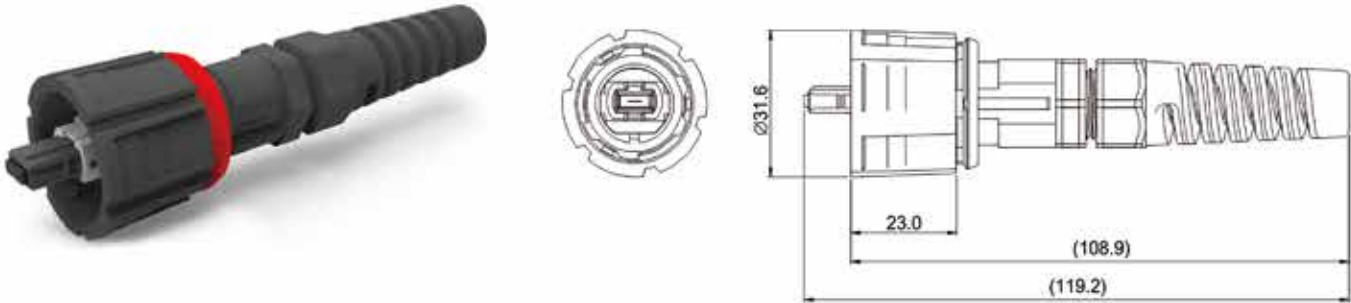


■ Panel cut-out



Dimensions

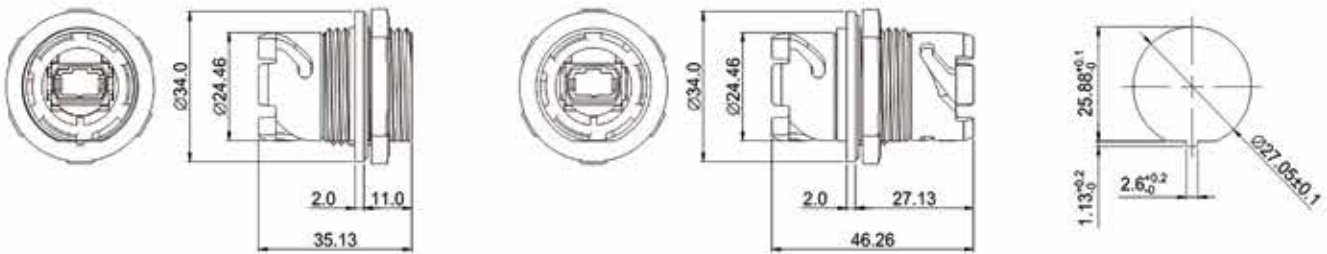
IP-SC Connector



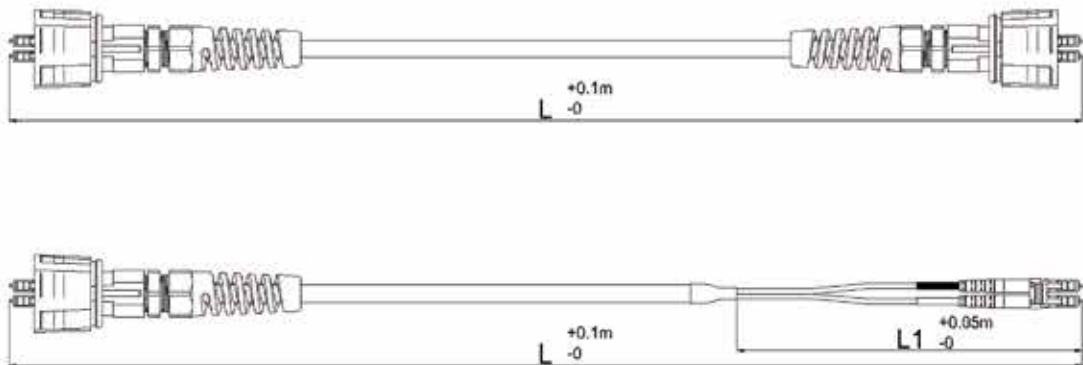
IP-MPO Bulkhead Adapter

IP-MPO In Line Adapter

Panel cut-out



Waterproof Patch cord





■ ABOUT US

WCFO is an industrial provider for optical fiber products and solutions of Telecom/Datacom. We provide the worldwide market with Easy/Green access optical fiber solutions, products and services.

■ CONTACT

· Tel:+852 3460 4735
· Fax:+852 3460 4736
· Email:sales@wcfo.com

· Address:Flat 11&12A,9/F Shatin Galleria No. 18-24
ShanMei Street, Fotan, NT,Hong Kong
· <http://www.wcfo.com>